

YC-1602E Series

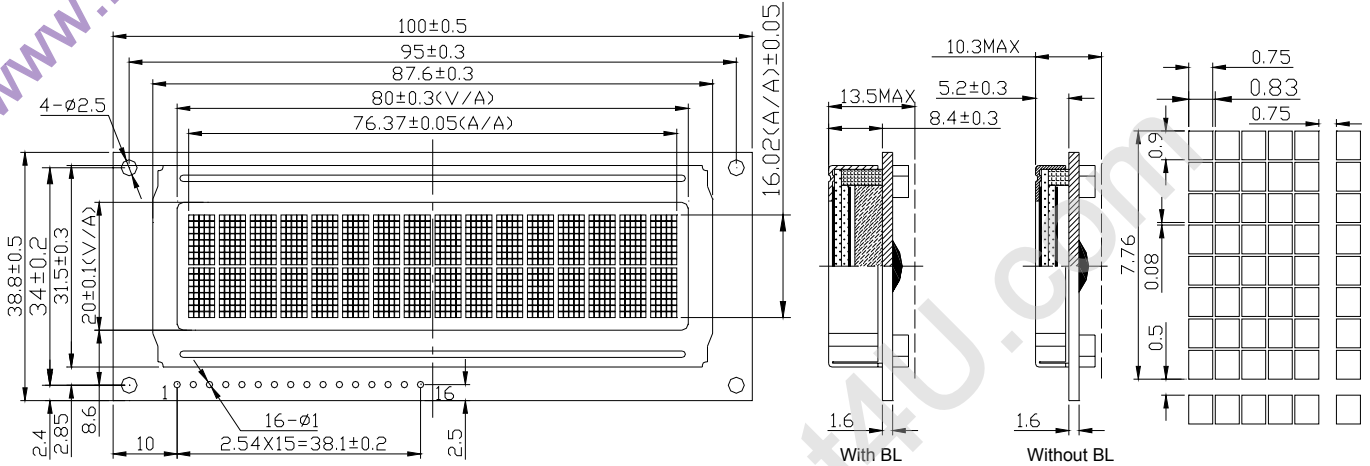
液晶之友 电话: 020-33819057

<http://www.lcdfriends.com>

1. Mechanical Specifications

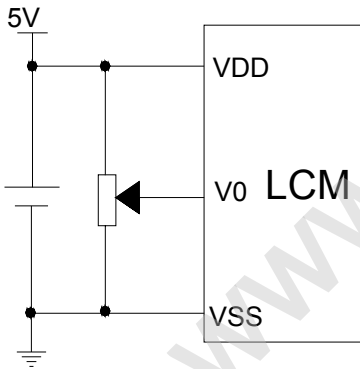
	Display Area(mm)	Outline(mm)
16CharactersX2Lines	Active Area: 4.97(W)X7.70(H)	Outline Dimension : 100(W)X38.8(H)
Duty: 1/16	Dot Size: 0.75(W)X0.9(H)	Thickness With B/L: 13.5Max
Viewing Area: 80(W)X20.4(H)	Dot Pitch: 0.83(W)X0.98(H)	Thickness Without B/L: 10.3Max

2. External Dimension

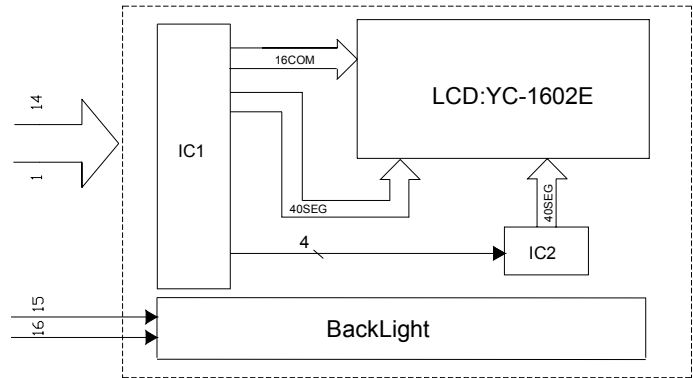


PIN	1	2	3	4	5	6	7	8	9	10	11	12	13	14	15	16
NAME	VSS	VDD	V0	RS	R/W	E	DB0	DB1	DB2	DB3	DB4	DB5	DB6	DB7	LED+	LED-

3. Power Supply



4. Block Diagram



5. Electrical Characteristics

Item	Symbol	Min.	Typ.	Max.	Unit	Condition
Supply Voltage(Logic)	Vdd	4.5	5	5.5	V	
Supply Current(Logic)	Idd	-	-	3	mA	Vdd=5V
LCD Operating Voltage	Vop	-	4.5	-	V	Ta=25°C
Supply Current for LCD	Iee	-	-	3	mA	Vdd=5V
Power Supply for B/L	V _{B/L}	-	4.2	-	V	