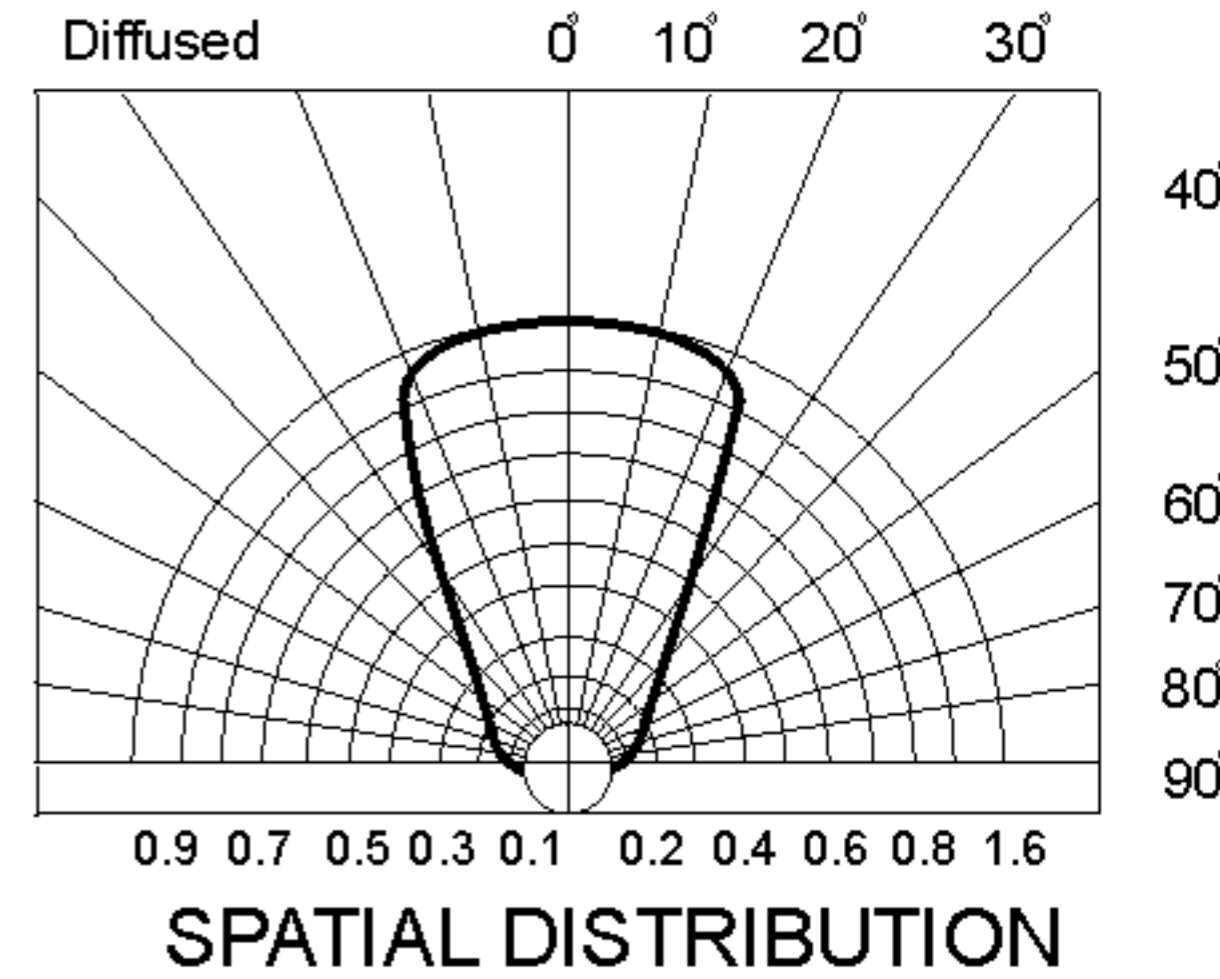
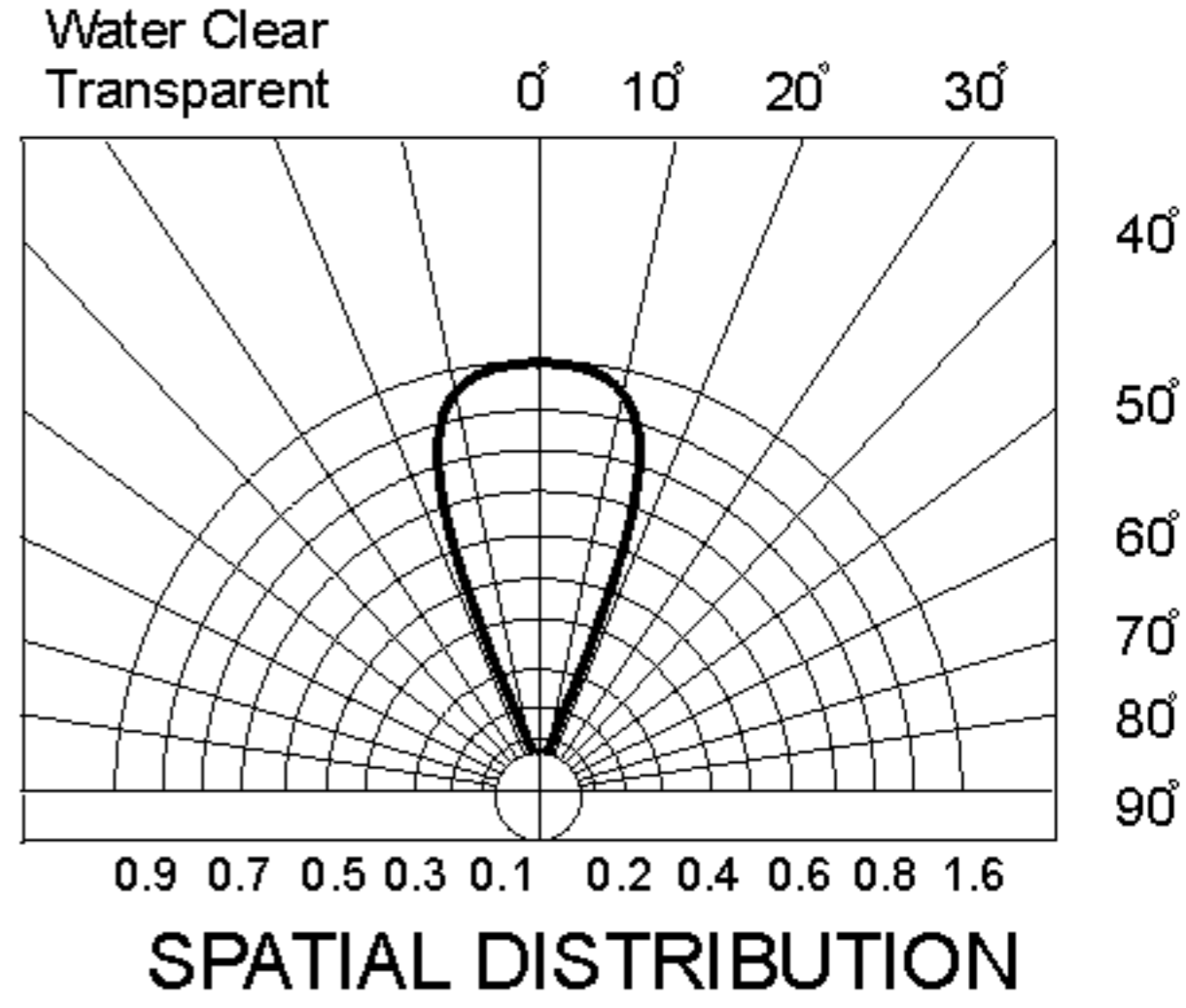
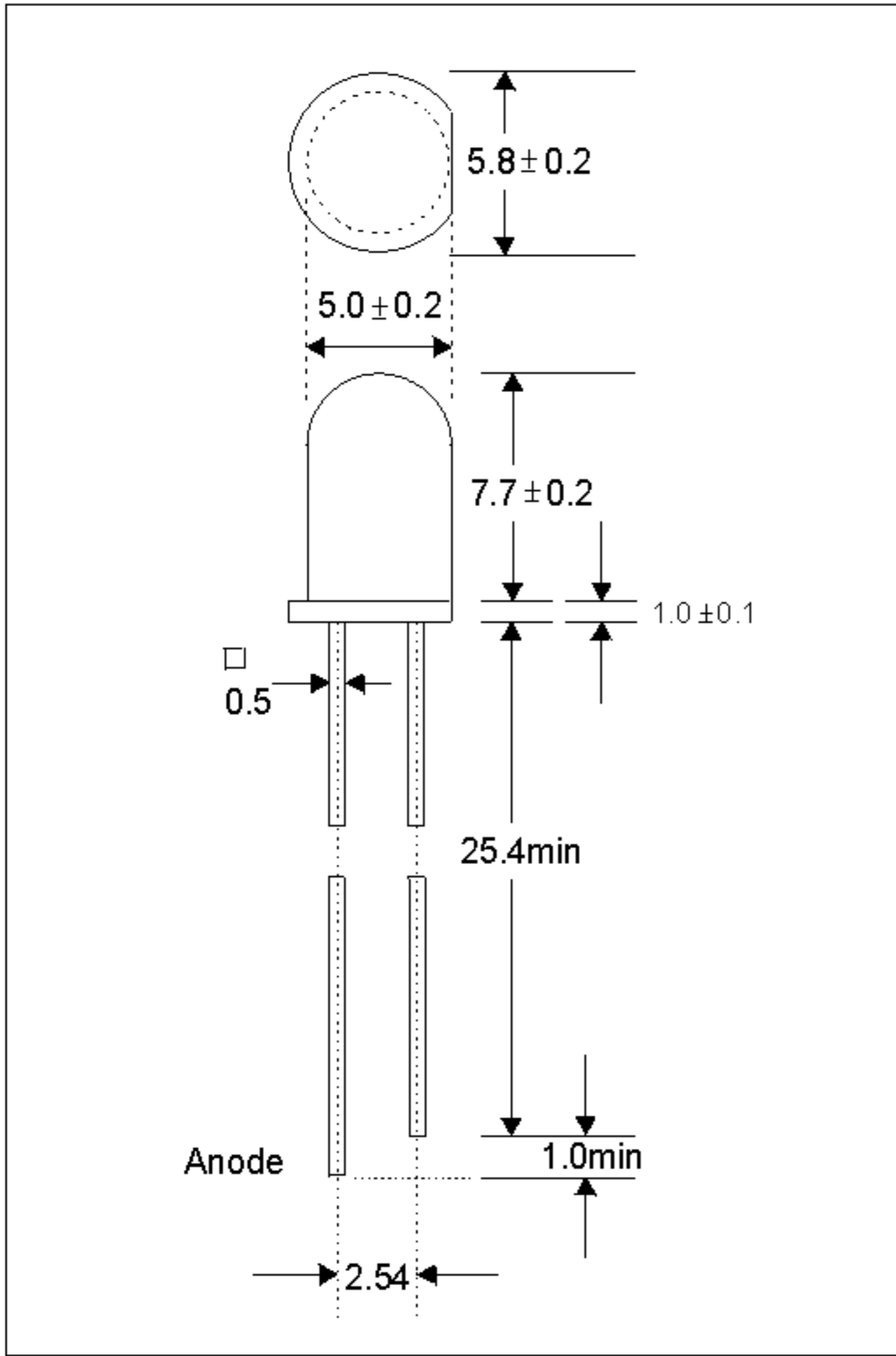


# L-513XX SERIES

## 5mm, Round Type LED Lamp

PACKAGE DIMENSIONS(unit: mm)



ABSOLUTE MAXIMUM RATINGS:(Ta=25°C)

<b>Reverse Voltage</b>	: 5 Volt
<b>Reverse Current(Vr=5V)</b>	: 10uA
<b>Operating Temperature Range</b>	: -40°C to+85°C
<b>Storage Temperature Range</b>	: -40°C to+100°C
<b>Lead Soldering Temperature</b>	: 260°C for 5 Seconds

PART SELECTION AND APPLICATION INFORMATION(RATINGS AT 25°C AMBIENT)

PART NO.	CHIP			LENS COLOR	Absolute Maximum Ratings				Electrical-Optical Characteris						Viewing Angle (deg)
	Material	PEAK WAVE Lenght λp(nm)	Emitting Color		Δλ (nm)	pd (nW)	IF (mA)	Peak if(mA)	VF(V)			Rec if(mA)	Iv(mcd)		
									Min.	Typ.	Max.	Max.	Min.	Typ.	
513BC-A3	InGaN	465	Blue	20	120	30	100	2.9	3.3	3.6	10-20	1500	2200	30	